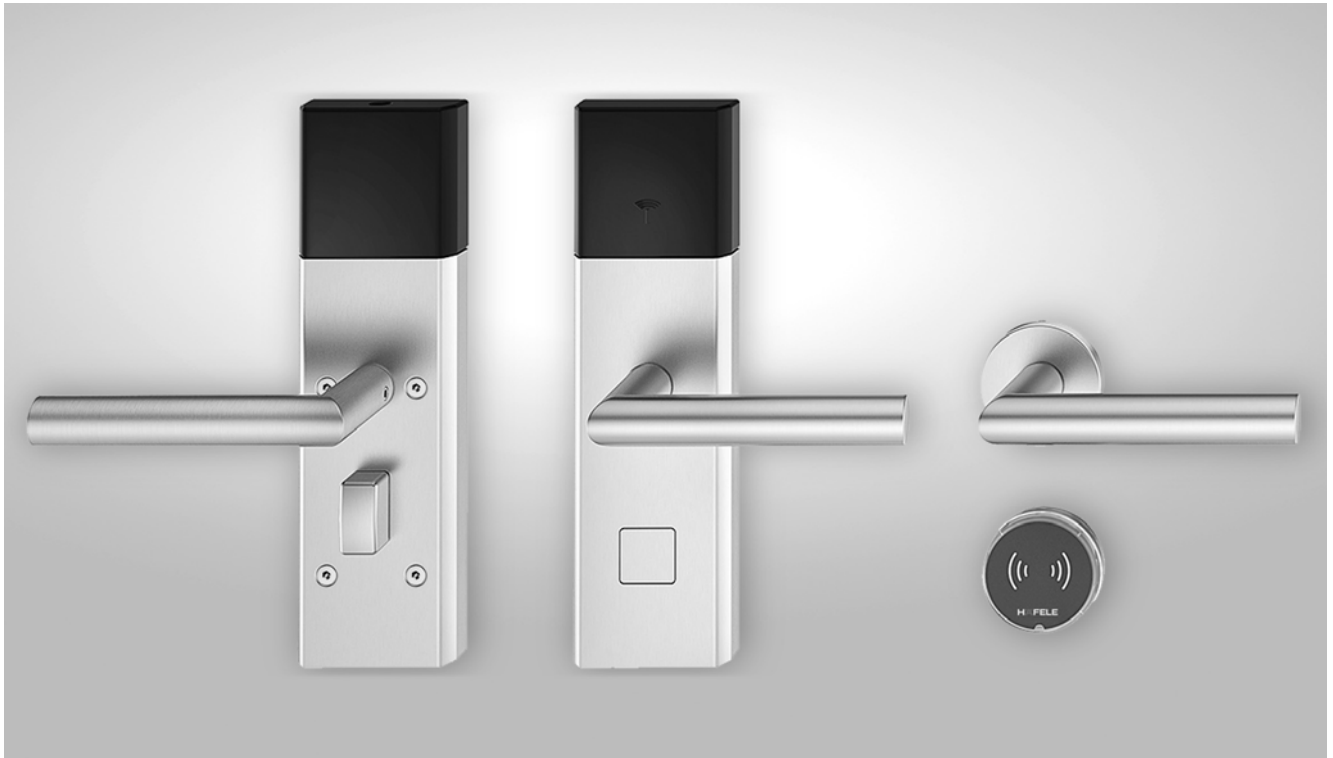




DT 700 / DT710



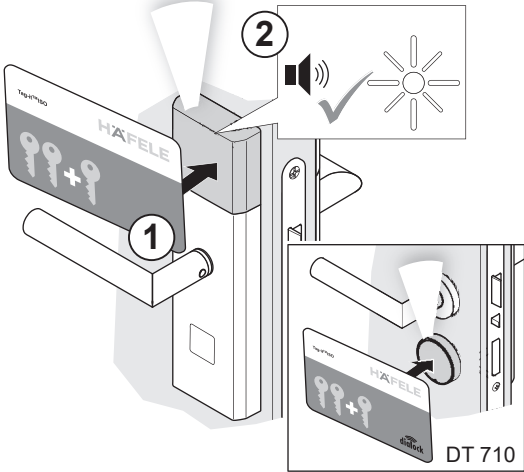
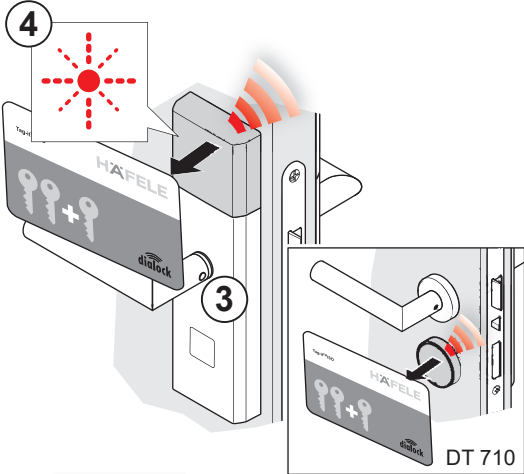
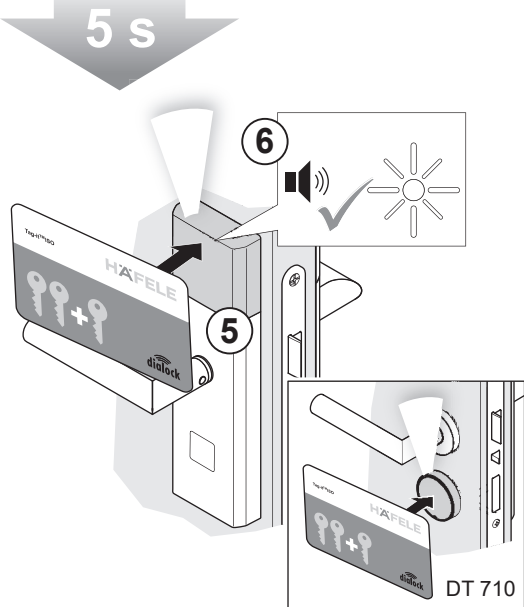


732.29.498
ZN 6.172.0900.90a

DT700 DT710 操作手册

初始化（首次使用时，需要编制编程卡和销程卡）
Start-up

ZN 6.172.0900.90a
732.29.498

	 编程卡 / Programming key	 销程卡 / Clearing key
	<p>cn (1) 上电后白灯闪，刷待编制的编程卡。 (2) 响一声，白灯亮，编程卡编制完成。</p> <p>en (1) Present programming key. (2) Acoustic signal is heard. White LED comes on.</p>	
	<p>cn (3) 移开编制好的编程卡。 (4) 红灯闪5秒。</p> <p>en (3) Remove programming key. (4) Red LED flashes for max. 5 sec.</p>	
<p style="font-size: 2em; font-weight: bold; text-align: center;">5 s</p> 	<p>cn (5) 在红灯闪时刷待编制的销程卡。 (6) 响一声，白灯亮，销程卡编制完成。 电子锁进入独立工作模式。</p> <p>en (5) Present clearing key within 5 sec. (6) Acoustic signal is heard. White LED comes on. System is in operation.</p>	

HPC 05/2017

编制开门卡
Allocating locking authorisations - normal user keys

cn

en

	编程卡 / Programming key	白卡 / User key
<p>cn (1) 刷编程卡。 (2) 响一声，白灯闪5秒。</p> <p>en (1) Present programming key. (2) Acoustic signal is heard. White LED flashes for max. 5 sec.</p>		
<p>5 s</p> <p>cn (3) 在白灯闪的5秒内刷待编制的白卡。 (4) 响一声，白灯亮，开门卡编制完成。</p> <p>en (3) Present user key within 5 sec. (4) Acoustic signal is heard. White LED comes on. Locking authorisation has been allocated.</p>		
<p>5 s</p> <p>cn (5) 在白灯闪烁的5秒内，刷下一张待编制的开门卡。</p> <p>en (5) Present another user key within 5 sec.</p>		

ZN 6.172.0900.90a

732.29.498

HPC 05/2017



删除单张开门卡
Clearing locking authorisations - individual user keys

732.29.498 ZN 6.172.0900.90a

	销程卡 / Clearing key	开门卡 / User key
<p>2</p> <p>cn (1) 刷销程卡 (2) 响一声，红灯闪5秒，移开销程卡。</p> <p>en (1) Present clearing key. (2) Acoustic signal is heard. Red LED flashes for max. 5 sec.</p>		
<p style="text-align: center;">5 s</p> <p>4</p> <p>cn (3) 在红灯闪的5秒内刷要删除的开门卡。 (4) 响一声，红灯亮，开门卡删除完成。</p> <p>en (3) Present user key within 5 sec. (4) Acoustic signal is heard. Red LED comes on. Locking authorisation has been cleared.</p>		

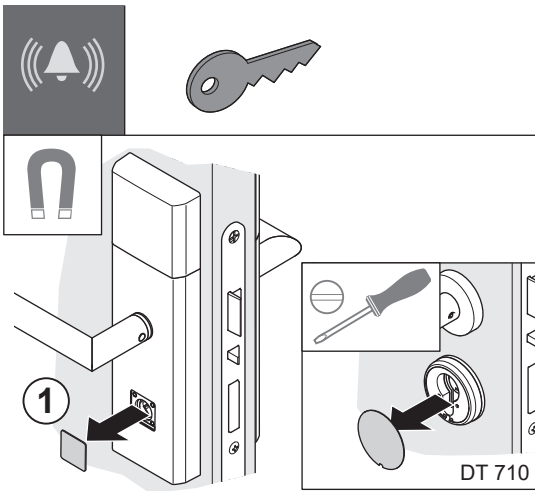
HPC 05/2017



机械钥匙开启
Emergency opening

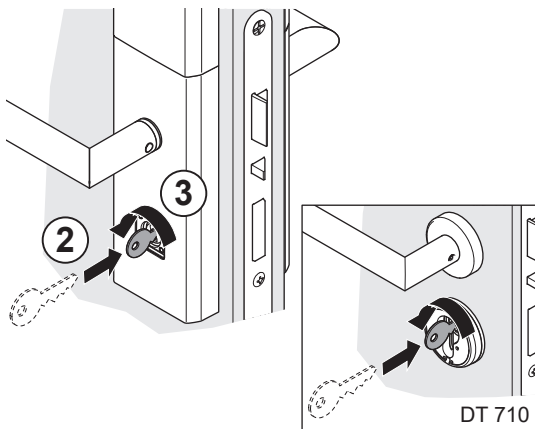
cn

en



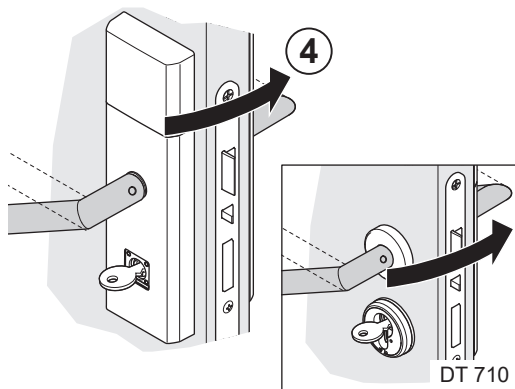
cn (1) 取下钥匙孔装饰盖片。

en (1) Remove cover.



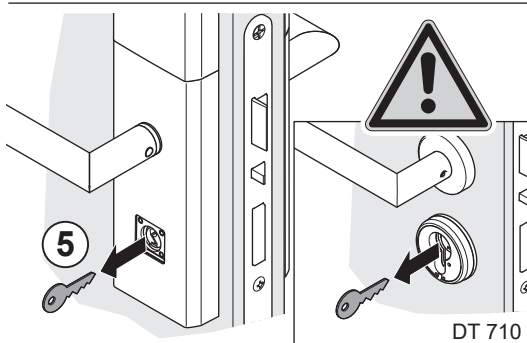
cn (2) 插入机械钥匙。
(3) 转动机械钥匙开锁。

en (2) Insert suitable key into locking cylinder.
(3) Turn key in opening direction.



cn (4) 开门。

en (4) Open door with lever handle.



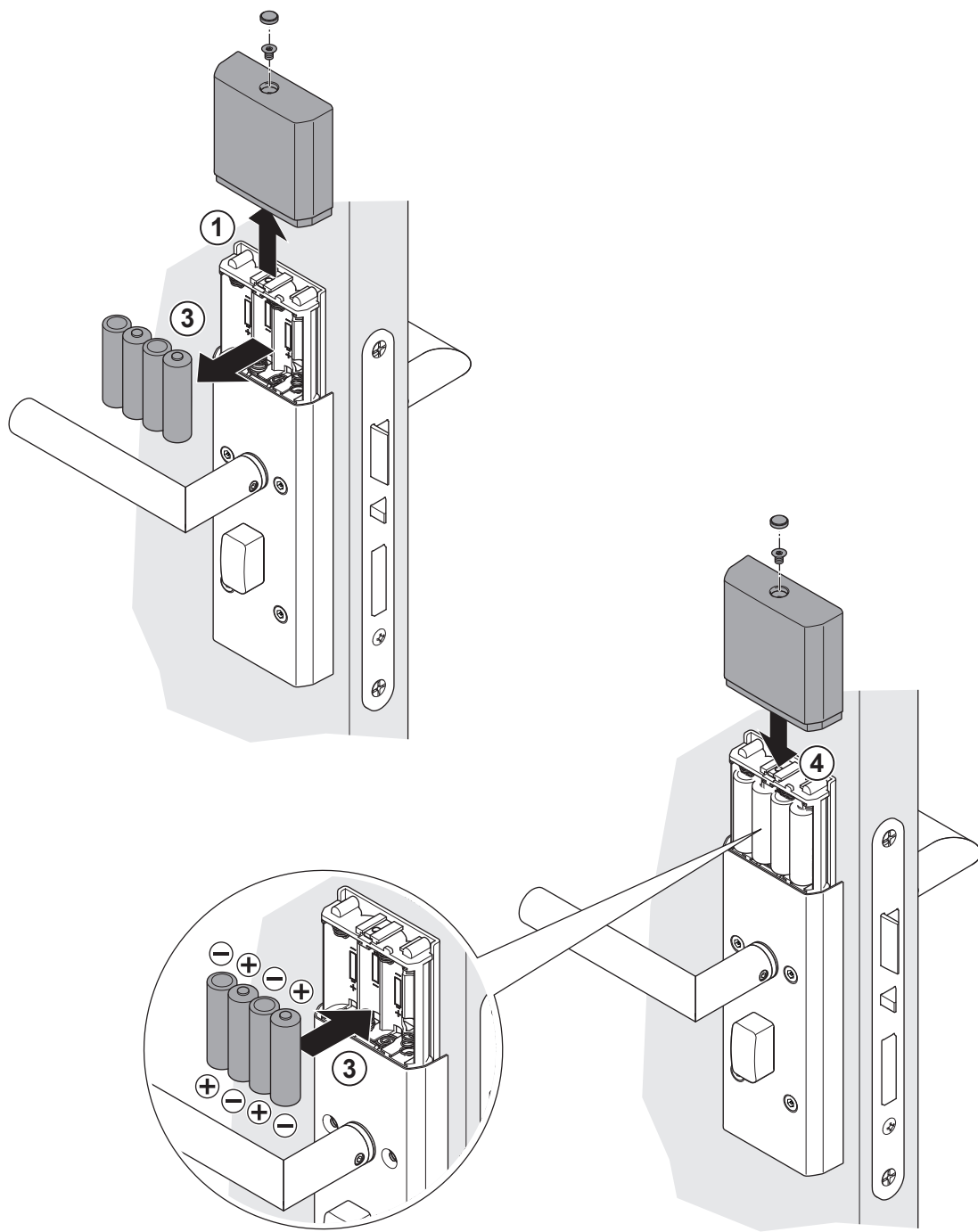
cn (5) 开门后记得取下机械钥匙，并保存好！

en (5) Key must be removed after emergency opening!

732.29.498 ZN 6.172.0900.90a

HPC 05/2017

更换电池
Battery change



732.29.498 ZN 6.172.0900.90a

HPC 05/2017